

**NEMA 4/12 - ENCLOSURE
19" RACKMOUNT - 15U HEIGHT
FREE STANDING**

**30" H x 48" W x 42" D
2 DOOR DESIGN**



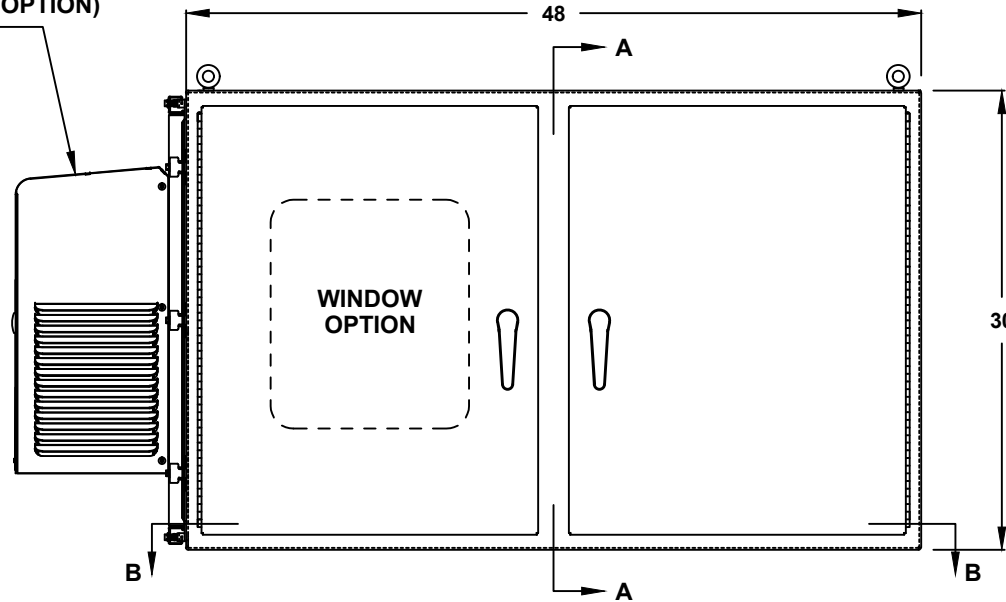
FILE NUMBER: E507642

AIR CONDITIONER (OPTION)
REF. TO PAGE 2

- ENCLOSURE MATERIAL**
- POWDER COATED STEEL (CS)
 - POWDER COATED ALUMINUM (AL)

- POWDERCOAT COLOR**
- WHITE
 - LIGHT GRAY ANSI 70
 - DARK GRAY ANSI 61
 - BLACK
 - CUSTOM _____

- EXTENDED FLOOR DEPTH**
- 2" DEPTH
 - 4" DEPTH
 - 6" DEPTH
 - SPECIFY _____



FRONT VIEW

- LIFTING EYES**
- WELDED PADEYES (STANDARD)
 - REMOVABLE PADEYES

- *WINDOW OPTIONS**
- CLEAR WINDOW
 - TINTED WINDOW
 - TEMPERED GLASS
 - NOT REQUIRED

- DOOR HANDLES**
- PADLOCK PROVISION (STANDARD)
 - KEYLOCK (OPTION)

ALL DIMENSIONS ARE ESTIMATED IN INCHES
AND MAY VARY DUE TO SELECTED OPTIONS.

COMPANY NAME

APPROVED (PRINTED NAME)

SIGNATURE

DATE

*NOTE: UL & NON-UL OPTIONS
AVAILABLE

**30" H x 48" W x 42" D
2 DOOR DESIGN**

AIR CONDITIONER

- 1000 BTU (NE/CS)
- 1500 BTU (NE)
- 2000 BTU (CS)
- SPECIFY _____
- NOT REQUIRED

A/C VOLTAGE/ HZ

- 115 VOLTS
- 230 VOLTS
- 480 VOLTS
- 60 HZ
- 50 HZ
- 48 VDC (CS011 A/C ONLY)

A/C INTEGRATED HEATER

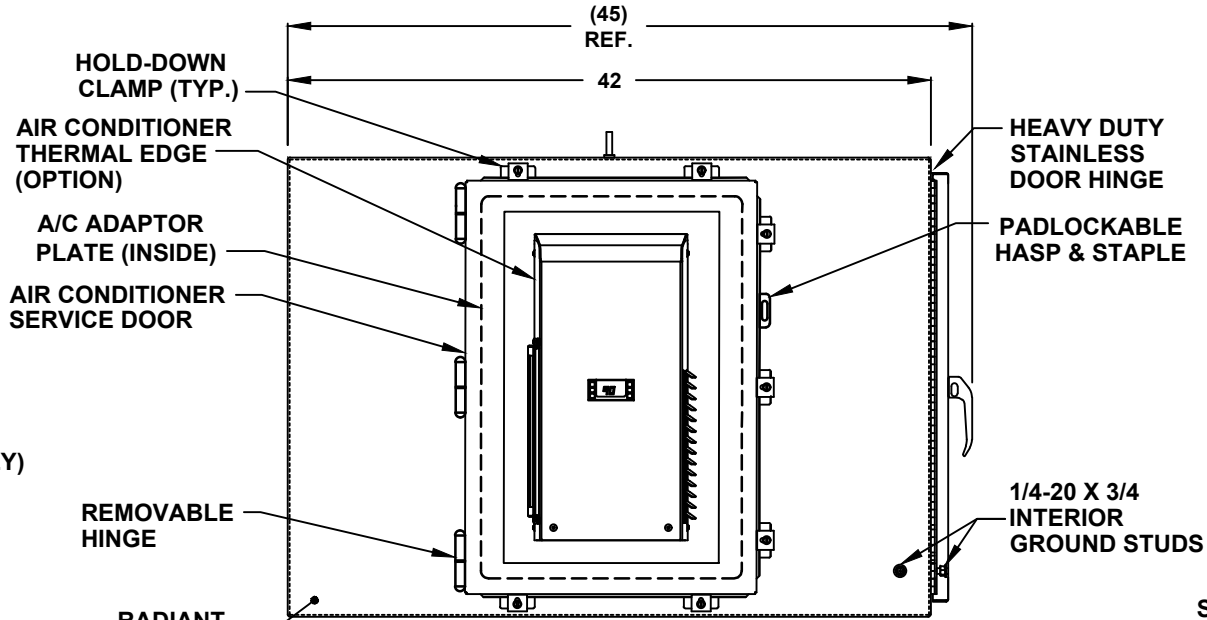
- 350 WATTS (CS011 A/C ONLY)
- 500 WATTS
- 1000 WATTS
- EXTERNAL HEATER

ADDITIONAL A/C OPTIONS

- CORROSION PROTECTION PACKAGE
- DRY CONTACT (OUTPUT SIGNAL)
- 2" DEEP FILTERS
- PROXIMITY SWITCH (ON/OFF)

AIR CONDITIONER- SCADA

- MOBUS RTU 485 (2 WIRE)
REMOTE NETWORK
ETHERNET CONNECTION
- MOBUS GATEWAY
ADD-ON



LEFT SIDE

THERMAL SPECIFICATIONS

- OUTSIDE (AMBIENT) _____ °F
- INTERIOR TEMP. _____ °F
- HEAT LOAD (WATTS) _____
- SUN / SHADE _____

ENCLOSURE INSULATION

- 1/2 RADIANT BARRIER (STANDARD)
- 3/4 RADIANT BARRIER
- 1 RADIANT BARRIER
- NOT REQUIRED

SUN REFLECTIVE SOLUTION

- TOP SUNSHIELD COVER

A/C SERVICE DOOR

- INSTALL A/C SERVICE DOOR
- NOT REQUIRED

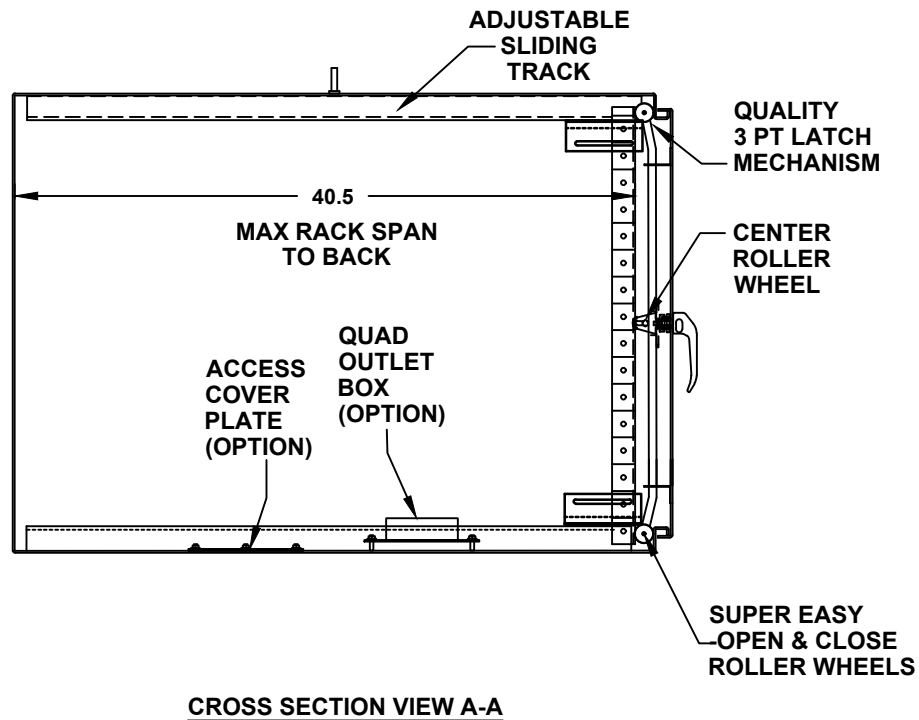
A/C SERVICE DOOR HINGE

- REMOVABLE HINGE
- CONTINUOUS HINGE

A/C ADAPTOR PLATE

- INSTALL A/C ADAPTOR PLATE
- NOT REQUIRED

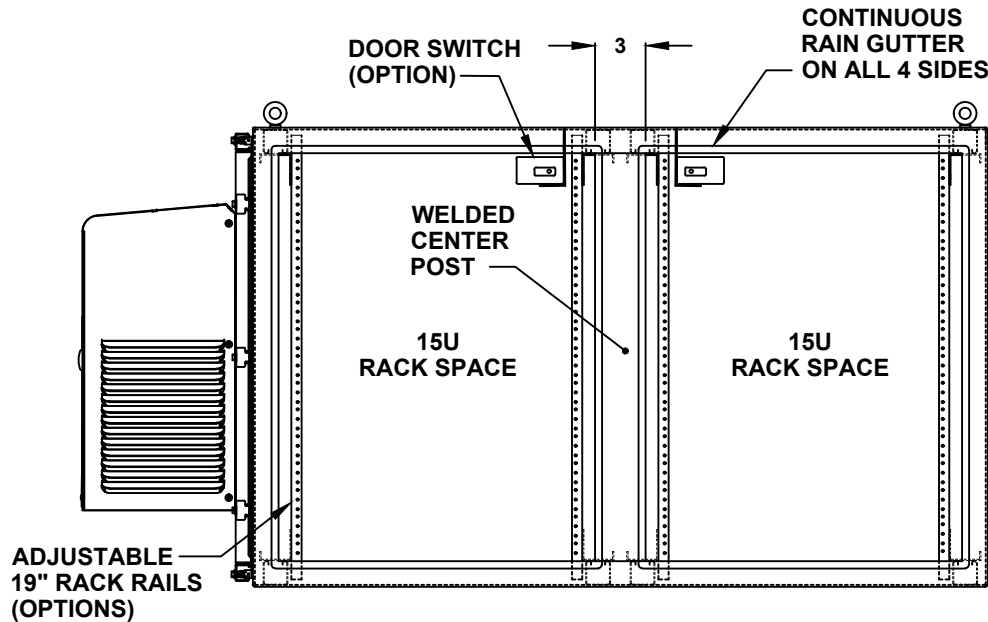
30" H x 48" W x 42" D 2 DOOR DESIGN



**30" H x 48" W x 42" D
2 DOOR DESIGN**

RACK RAIL OPTIONS

- BLACK CLIP NUTS, #10-32, (100 EA.)
- #10/32 HIGH POINT SCREWS (100 EA.)
- M6 CAGE NUTS



FRONT VIEW WITH DOOR REMOVED

DOOR OPTIONS

- DOOR SWITCH
- ELECTROMAGNETIC LOCK
- PRINT POCKET

CENTER POST

- WELDED (STANDARD)
- REMOVEABLE

RACK RAIL POST

- QTY 4 POST
- QTY 8 POST (REARDOOR REQUIRED)

RACK RAIL MATERIAL

- POWDER COATED STEEL (STANDARD)
- 304 STAINLESS STEEL

RACK RAIL MOUNTING HOLES

- #10-32 TAP (STANDARD)
- #1/4-20 TAP
- 3/8 SQUARE

RACK RAIL TYPE

- STANDARD GRADE
- HEAVY DUTY RAILS (OPTION)

RACK SHELVES (OPTION)

- STANDARD RACK SHELVES
- SLIDING RACK SHELVES
- RACK SHELF SUPPORT

RACK DRAWERS (OPTION)

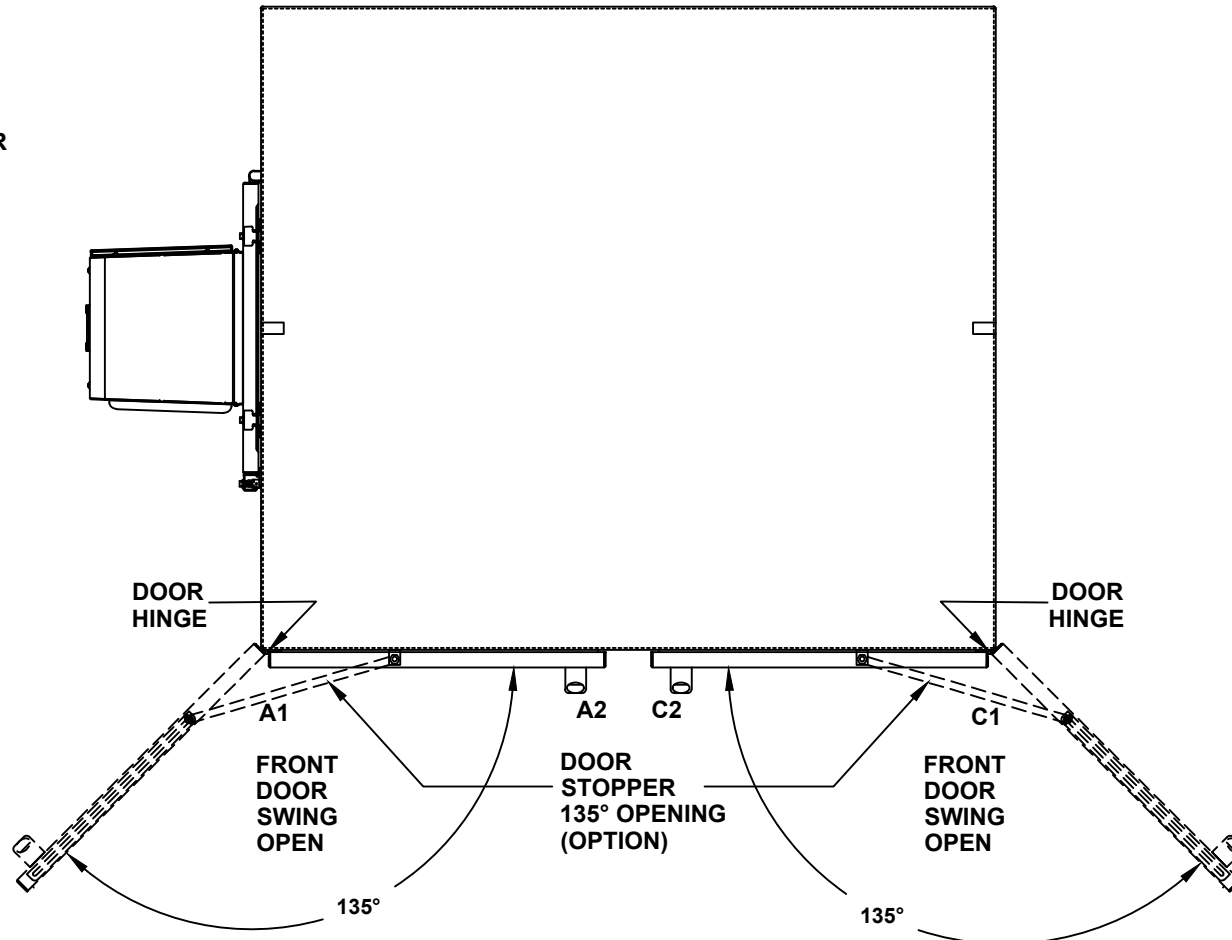
- RACK DRAWERS
- LAPTOP DRAWERS

OTHER OPTIONS

- 19" RACK COPPER BUSBAR
- VERTICAL RACK PDU

30" H x 48" W x 42" D 2 DOOR DESIGN

- DOOR STOPPER**
- INSTALL DOOR STOPPER
 - NOT REQUIRED

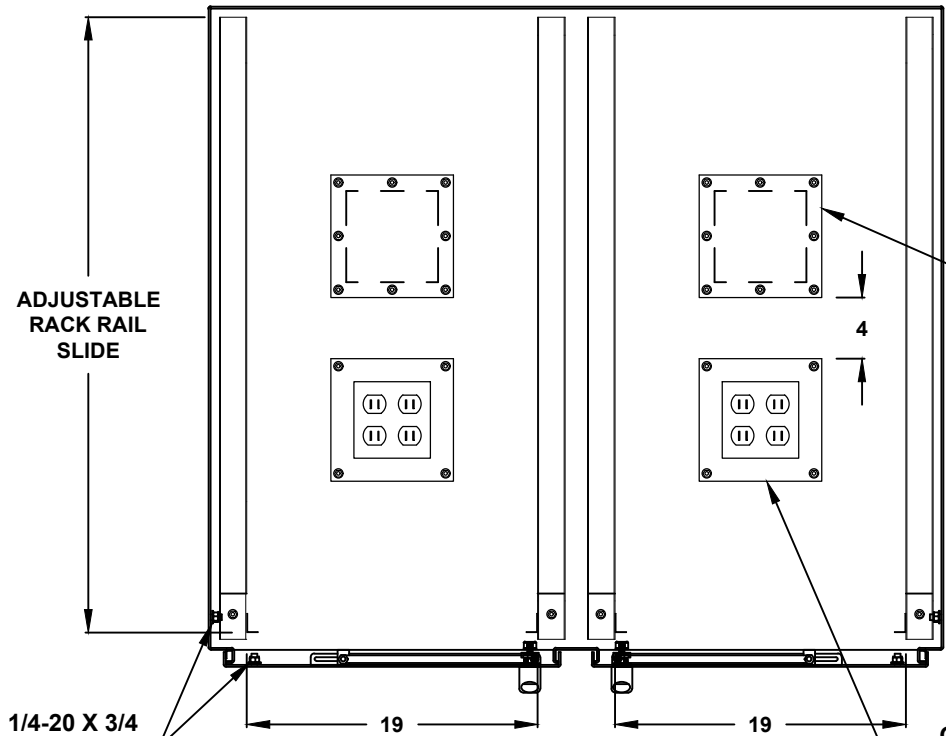


TOP VIEW

30" H x 48" W x 42" D 2 DOOR DESIGN

SIDE ACCESS COVER PLATE MAT'L

- POWDER COATED STEEL
- POWDER COATED ALUMINUM
- STAINLESS STEEL, 304



BASE ACCESS COVER PLATE (OPTION)

- 8x8 PLATE (6x6 CUT-OUT)
- 8x16 PLATE (6x14 CUT-OUT)
- 12x12 PLATE (10x10 CUT-OUT)
- 16x16 PLATE (14x14 CUT-OUT)

QUAD OUTLET BOX ON 8x8 PLATE (OPTION)

- ADD QUAD BOX
- 15A 115V RECEPTACLE
- 20A 115V RECEPTACLE
- NOT REQUIRED

CONDUIT/CABLE SEAL OPTIONS

- ROXTEC SEAL SOLUTION
- PIPE FITTING HUB
- CABLE GLAND

1/4-20 X 3/4
INTERIOR
GROUND STUDS

BONDING STRAPS

TOP CROSS SECTION VIEW B-B